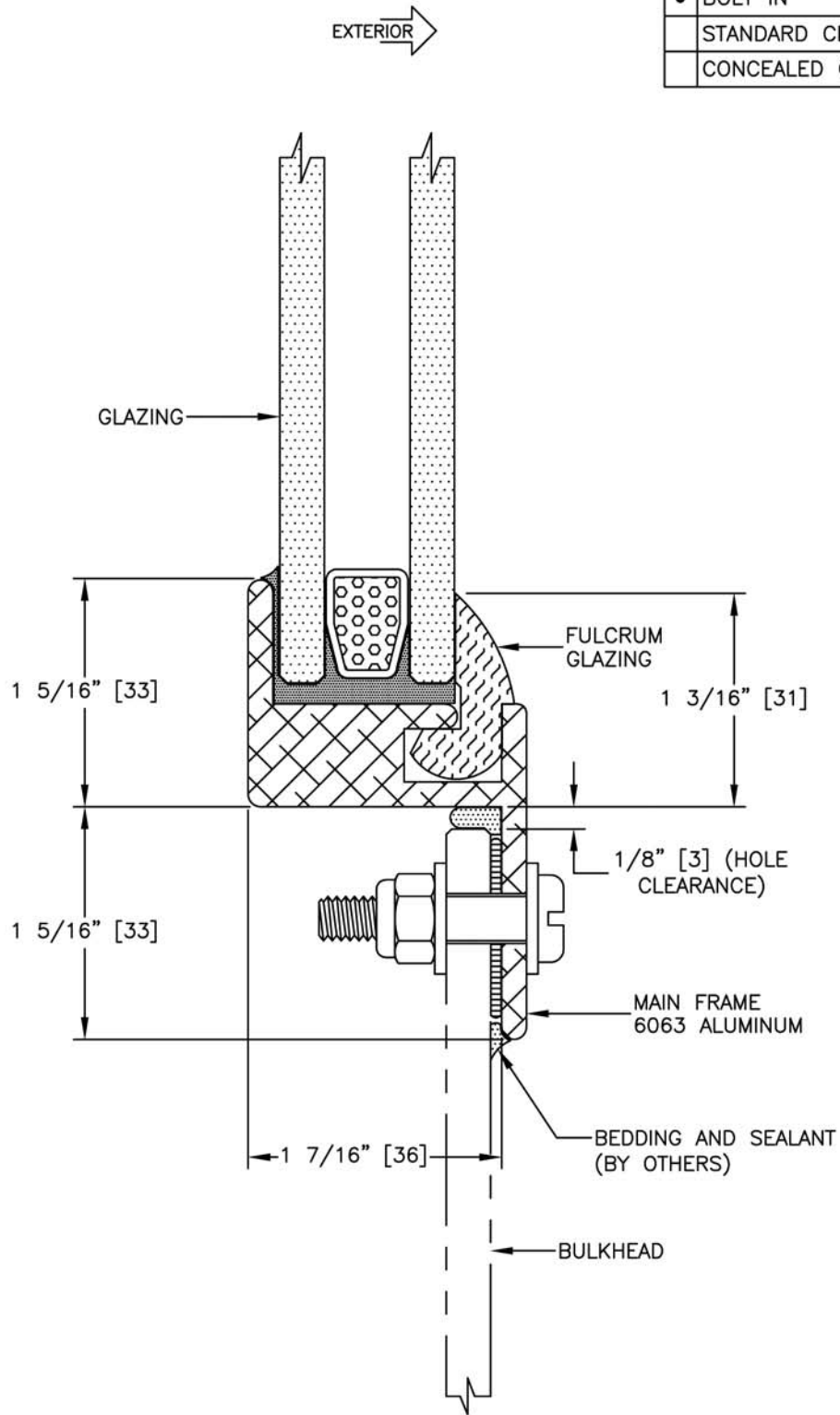


INSTALLATION

WELD IN
• BOLT IN
STANDARD CLAMP IN
CONCEALED CLAMP IN



STANDARD PLATE CUT RADIUS IS 3 1/8" [79], 3 5/8" [92], AND 4 1/8" [105].
 GLAZING THICKNESS RANGES FROM 3/4" [19mm] TO 1" [25mm].

TITLE: FIXED WINDOW	MODEL NO. WIN-1047-FX	REV —
	SCALE: N/A	SHEET: 1 OF: 1

Bolt In Window with Fulcrum Glazing and Dual Pane



PACIFIC COAST MARINE
 6000 23RD DRIVE WEST, EVERETT, WASHINGTON, USA 98203
 PHONE: +1.425.743.9550 WWW.PCMII.COM

FIXED WINDOW