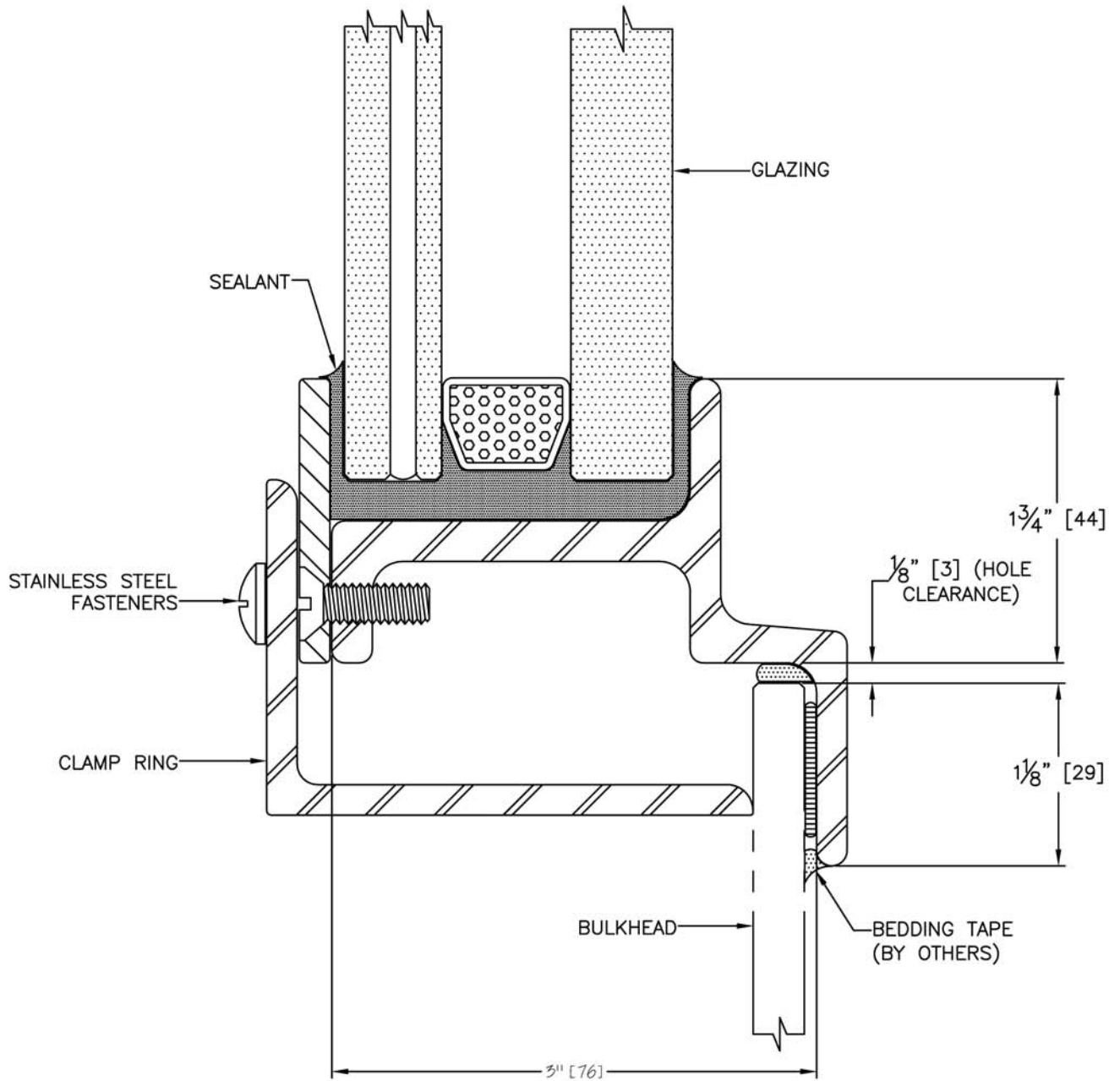


INSTALLATION

WELD IN
BOLT IN
• STANDARD CLAMP IN
CONCEALED CLAMP IN

EXTERIOR →



GLAZING THICKNESS RANGES FROM ????  
STANDARD PLATE CUT RADIUS IS ???

	TITLE:	FIXED WINDOW	MODEL NO.	WIN-6005-FX	REV
			SCALE: N/A	SHEET: 1 OF: 1	—

Clamp In Window with Compression Glazing



PACIFIC COAST MARINE  
8000 23RD DRIVE WEST, EVERETT, WASHINGTON, USA 98203  
PHONE: +1.425.743.9550 WWW.PCMII.COM

FIXED WINDOW