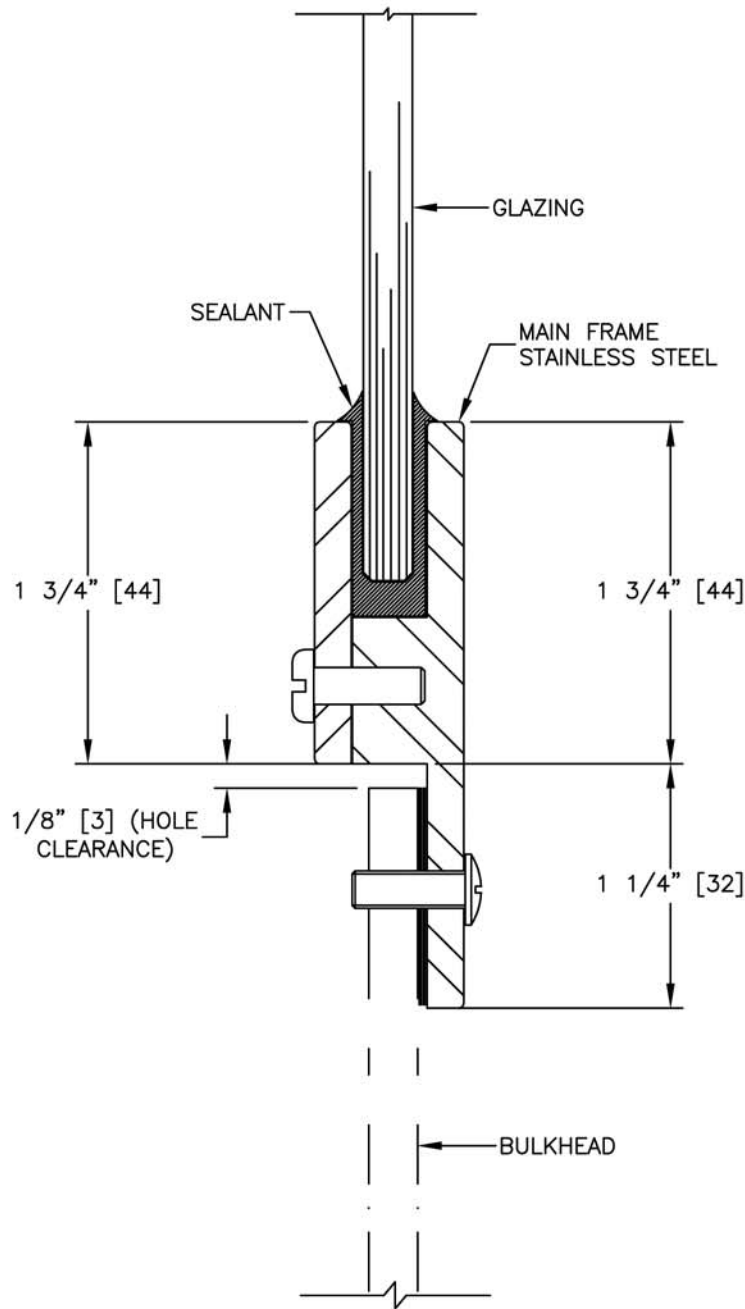


INSTALLATION

|                     |
|---------------------|
| WELD IN             |
| • BOLT IN           |
| • STANDARD CLAMP IN |
| CONCEALED CLAMP IN  |

EXTERIOR 



MITER CORNERS ONLY.  
 GLAZING THICKNESS REQUIRES 1/4" [6mm] OR GREATER

|  |        |              |  |            |                |     |   |
|--|--------|--------------|--|------------|----------------|-----|---|
|  | TITLE: | FIXED WINDOW |  | MODEL NO.  | WIN-6004-FX    | REV | — |
|  |        |              |  | SCALE: N/A | SHEET: 1 OF: 1 |     |   |

Clamp In Window with Compression Glazing



PACIFIC COAST MARINE  
 6000 23RD DRIVE WEST, EVERETT, WASHINGTON, USA 98203  
 PHONE: +1.425.743.9550 WWW.PCMII.COM

FIXED WINDOW