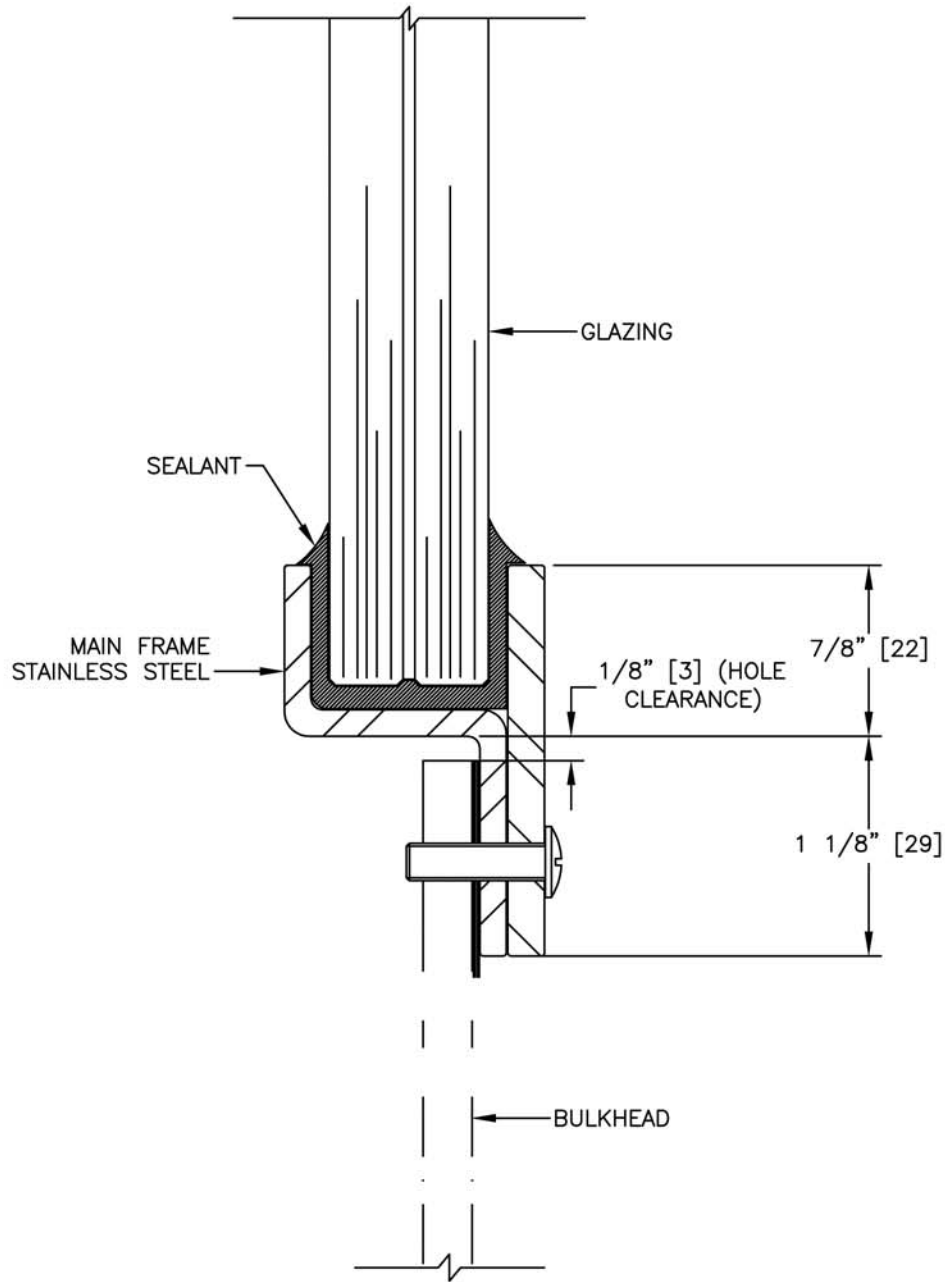


INSTALLATION

WELD IN
• BOLT IN
STANDARD CLAMP IN
CONCEALED CLAMP IN

EXTERIOR 



MITER CORNERS ONLY.
GLAZING THICKNESS REQUIRES 1/4" [6mm] OR GREATER.

	TITLE:	FIXED WINDOW		MODEL NO.	WIN-6003-FX	REV	—
				SCALE: N/A	SHEET: 1 OF: 1		

Bolt In Window with Compression Glazing and Single Pane



PACIFIC COAST MARINE
6000 23RD DRIVE WEST, EVERETT, WASHINGTON, USA 98203
PHONE: +1.425.743.9550 WWW.PCMII.COM

FIXED WINDOW