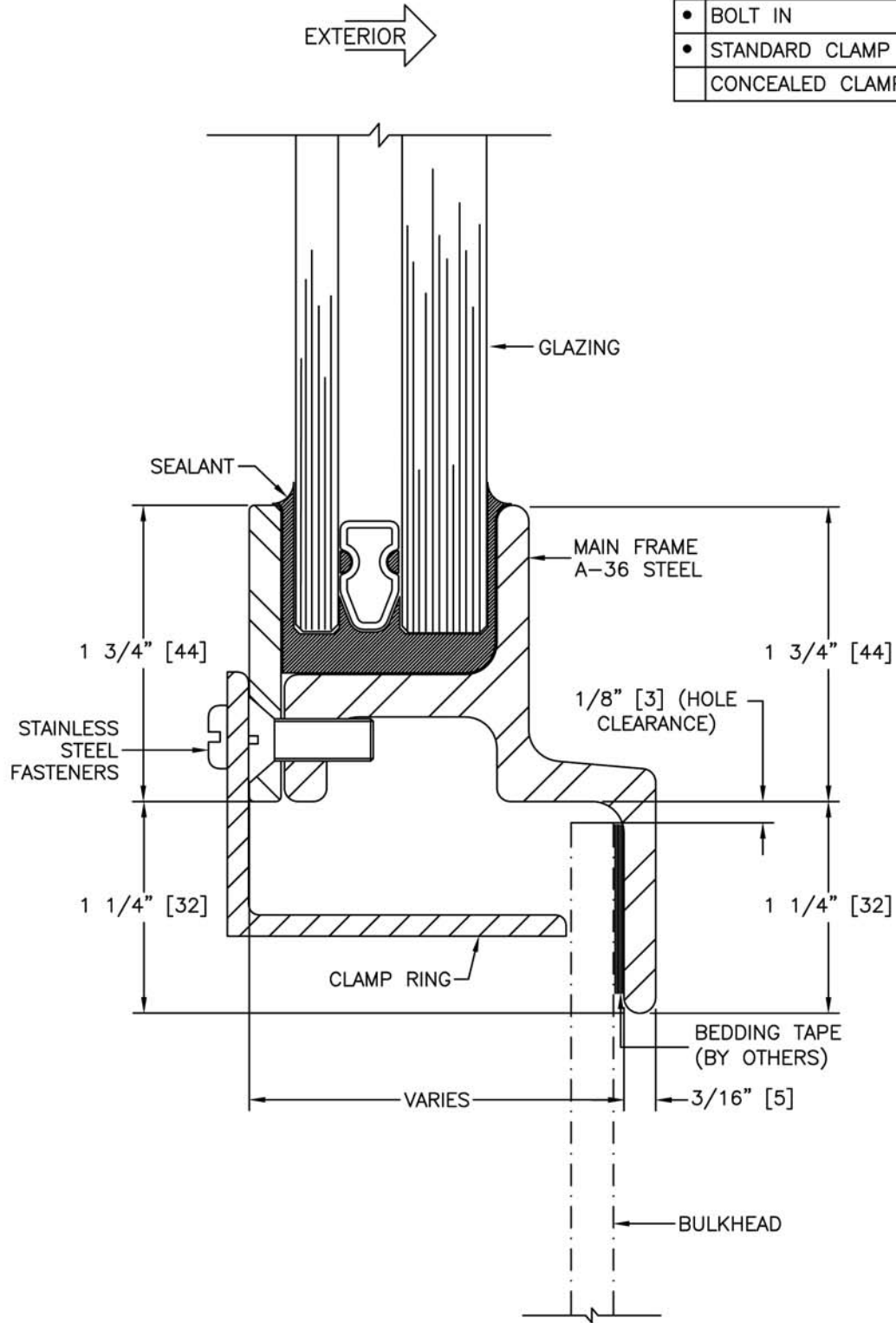


INSTALLATION

WELD IN
• BOLT IN
• STANDARD CLAMP IN
CONCEALED CLAMP IN



GLAZING THICKNESS RANGE FROM 1/4" [6mm] TO 1 1/8" [29mm].  
STANDARD PLATE CUT RADIUS IS 5 5/16" [135].

	TITLE:	MODEL NO.	REV
	<b>FIXED WINDOW</b>	<b>WIN-6001-FX</b>	—
		SCALE: N/A	SHEET: 1 OF: 1

Clamp In Window with Compression Glazing



PACIFIC COAST MARINE  
6000 23RD DRIVE WEST, EVERETT, WASHINGTON, USA 98203  
PHONE: +1.425.743.9550 WWW.PCMII.COM

FIXED WINDOW