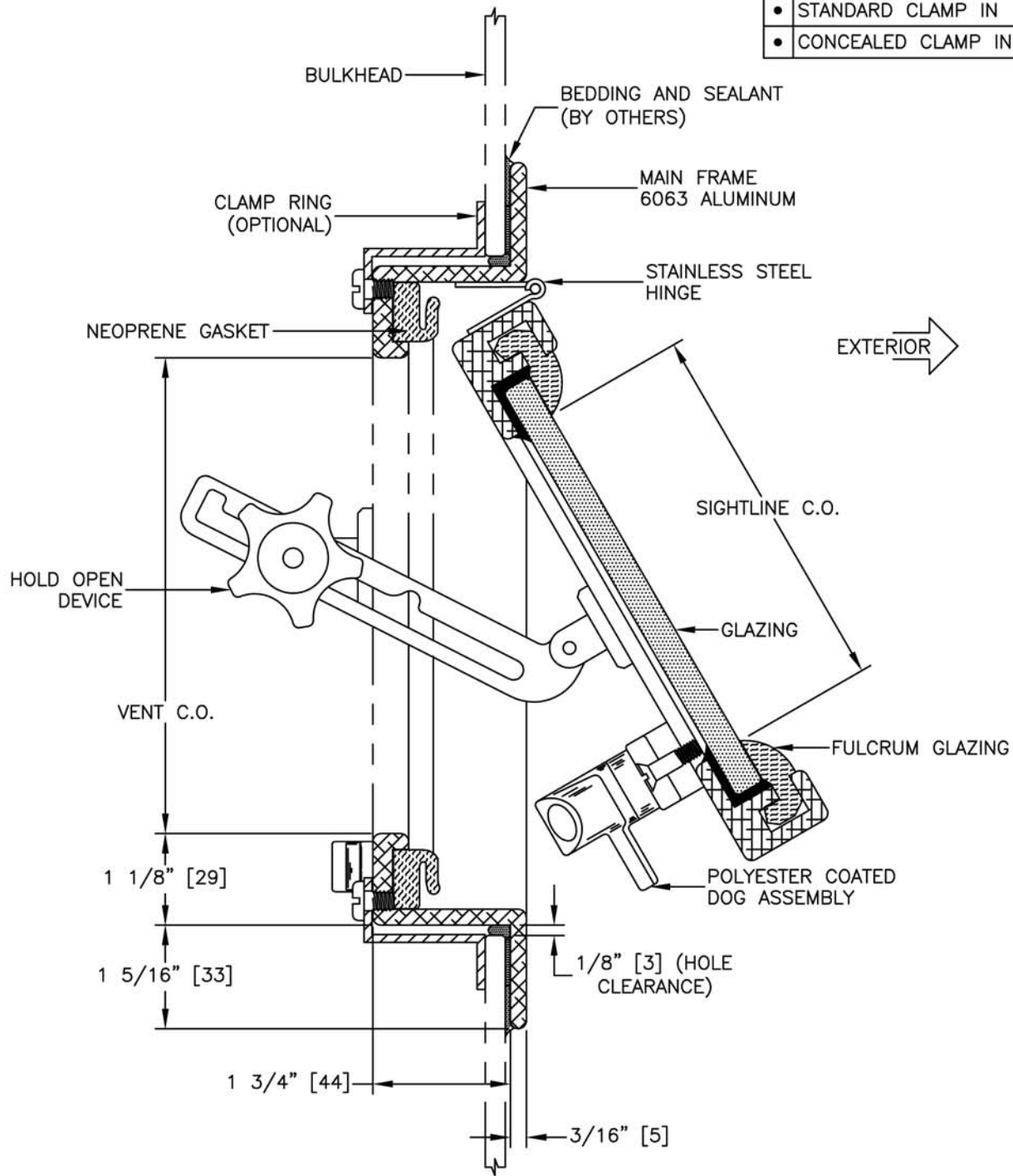


INSTALLATION

WELD IN
• BOLT IN
• STANDARD CLAMP IN
• CONCEALED CLAMP IN



STANDARD PLATE CUT RADIUS IS 3 1/2" [89] AND 4" [102].
 GLAZING THICKNESS RANGE FROM 1/4" [6mm] TO 1/2" [13mm].

TITLE: FULL VENT WINDOW	MODEL NO. WIN-2000A-FV	REV —
	SCALE: N/A	SHEET: 1 OF: 1

Clamp In Full Vent Window

FULL VENT WINDOW