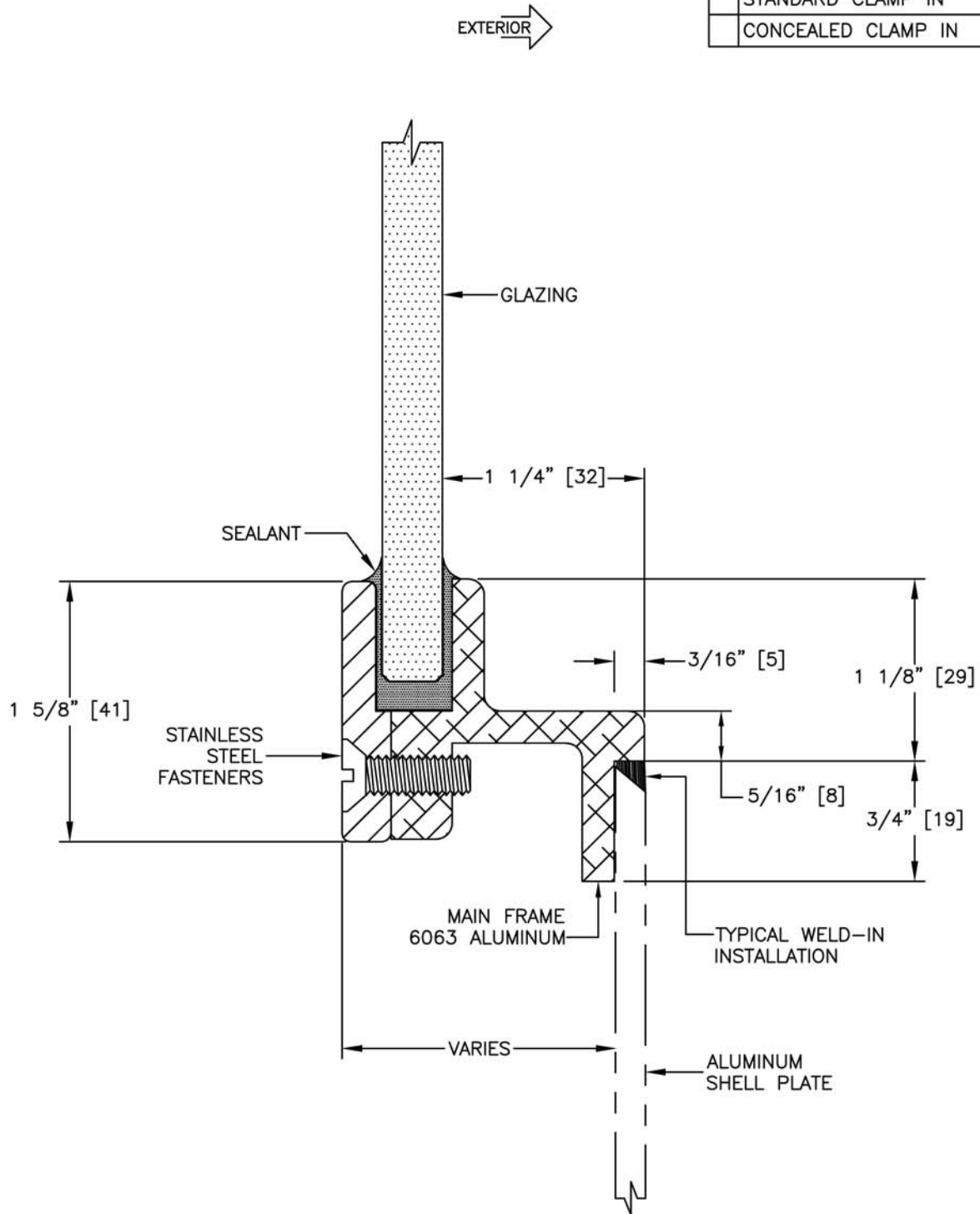


INSTALLATION

•	WELD IN
	BOLT IN
	STANDARD CLAMP IN
	CONCEALED CLAMP IN



GLAZING THICKNESS RANGE FROM 1/4" [6mm] TO 1/2" [13mm].  
 STANDARD PLATE CUT RADIUS IS 3 1/8" [79mm] AND 4 1/8" [13mm].

	TITLE:	FIXED WINDOW	MODEL NO.	WIN-1083-FX	REV
			SCALE: N/A	SHEET: 1 OF: 1	—

Weld In Window with Compression Glazing and Single Pane



PACIFIC COAST MARINE  
 6000 23RD DRIVE WEST, EVERETT, WASHINGTON, USA 98203  
 PHONE: +1.425.743.9550 WWW.PCMII.COM

FIXED WINDOW