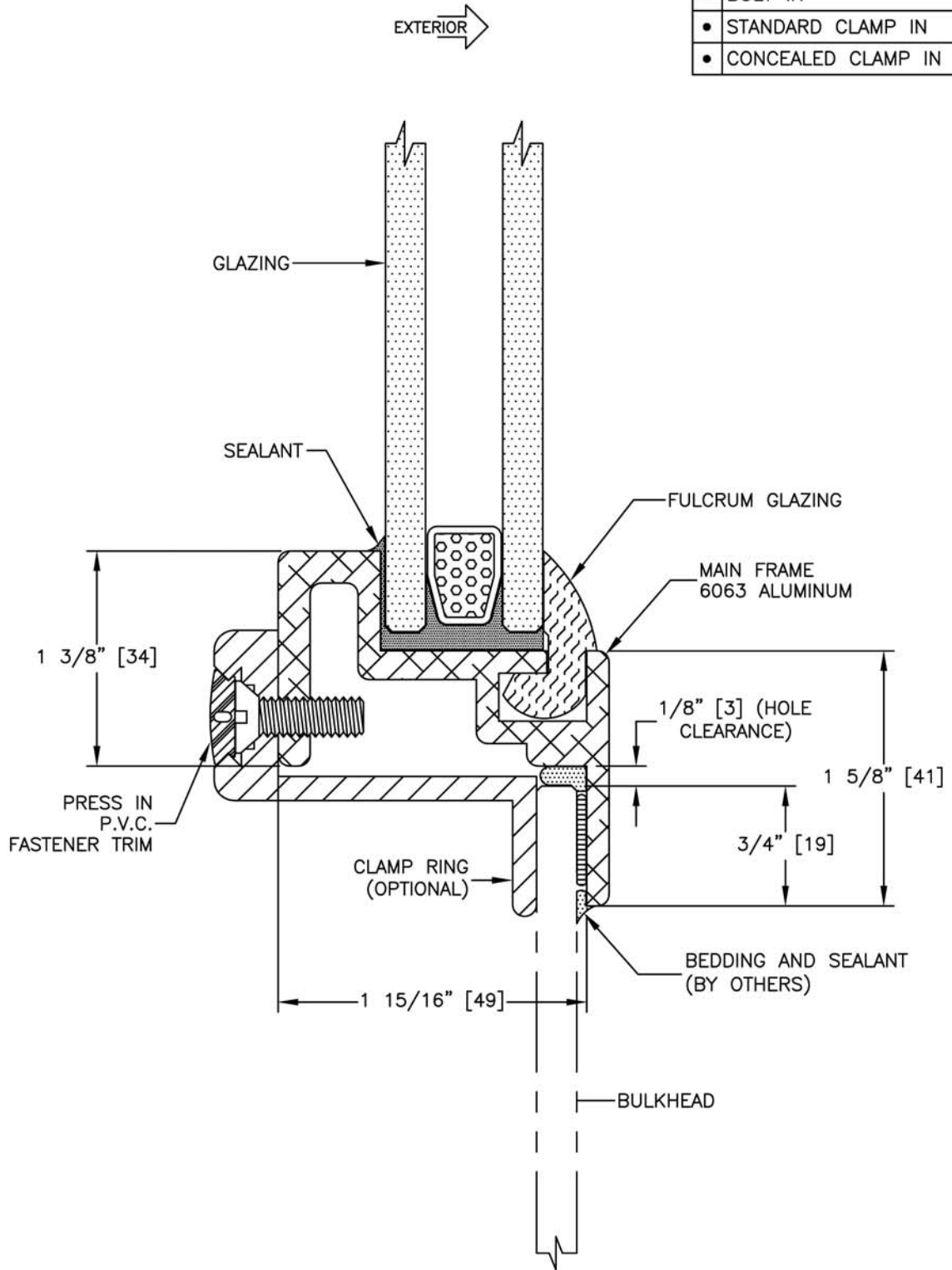


INSTALLATION

WELD IN
• BOLT IN
• STANDARD CLAMP IN
• CONCEALED CLAMP IN



GLAZING THICKNESS RANGE FROM 5/8" [16mm] TO 1" (25mm).
 STANDARD PLATE CUT RADIUS IS 3 1/8" [79], 3 5/8" [92], 4 1/8" [105], AND 4 5/8" [117].

	TITLE:	MODEL NO.	REV
	FIXED WINDOW	WIN-1044-FX	—
		SCALE: N/A	SHEET: 1 OF: 1

Clamp In Window with Fulcrum Glazing and Dual Pane



PACIFIC COAST MARINE
 6000 23RD DRIVE WEST, EVERETT, WASHINGTON, USA 98203
 PHONE: +1.425.743.9550 WWW.PCMII.COM

FIXED WINDOW