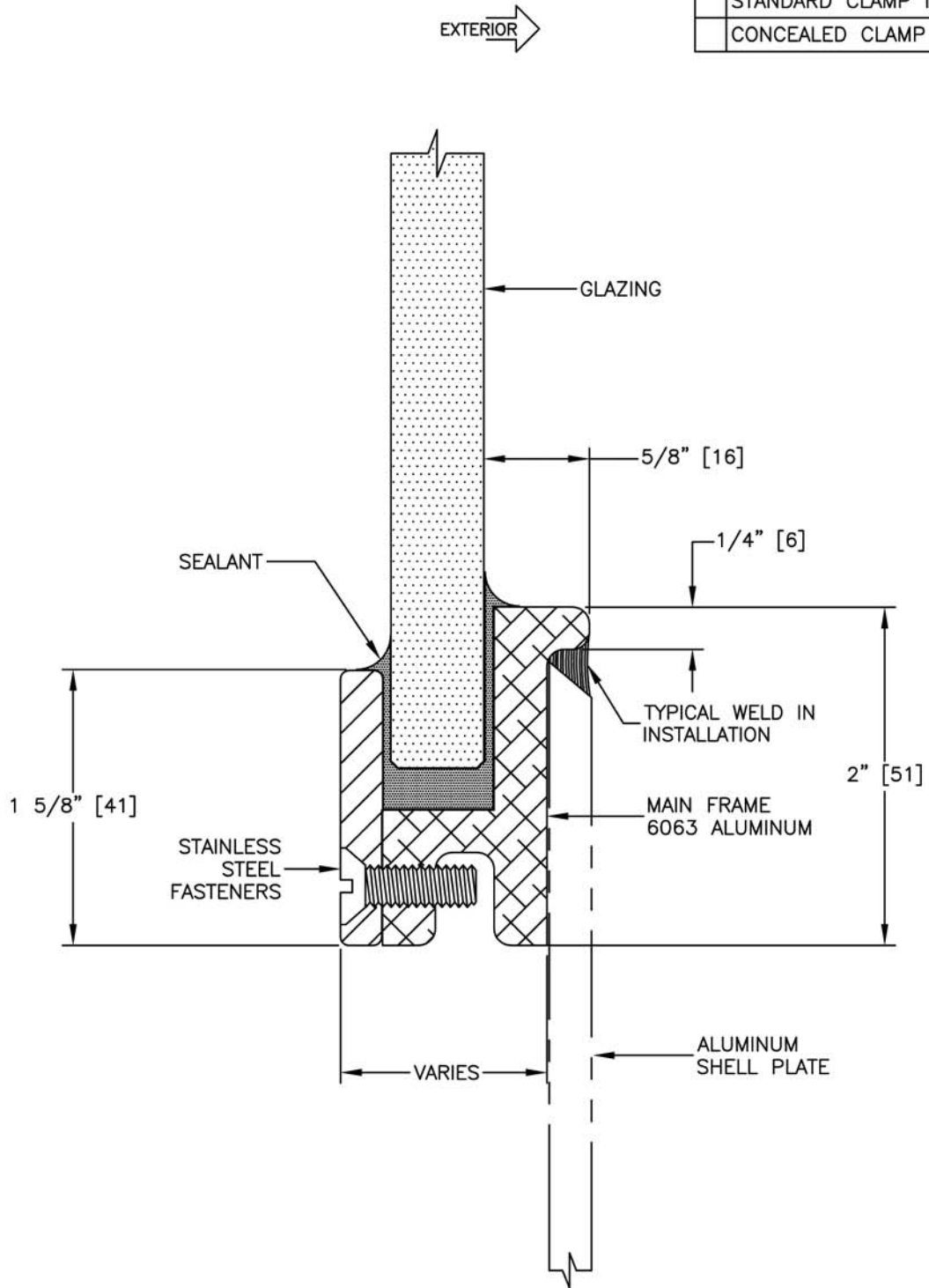


INSTALLATION

• WELD IN
BOLT IN
STANDARD CLAMP IN
CONCEALED CLAMP IN



GLAZING THICKNESS RANGES FROM 1/4" OR GREATER.
STANDARD PLATE CUT RADIUS IS 4 3/8" [111].

	TITLE:	FIXED WINDOW	MODEL NO.	WIN-1036-FX	REV
			SCALE: N/A	SHEET: 1 OF: 1	—

Weld In Window with Compression Glazing and Single Pane



PACIFIC COAST MARINE
6000 23RD DRIVE WEST, EVERETT, WASHINGTON, USA 98203
PHONE: +1.425.743.9550 WWW.PCMII.COM

FIXED WINDOW