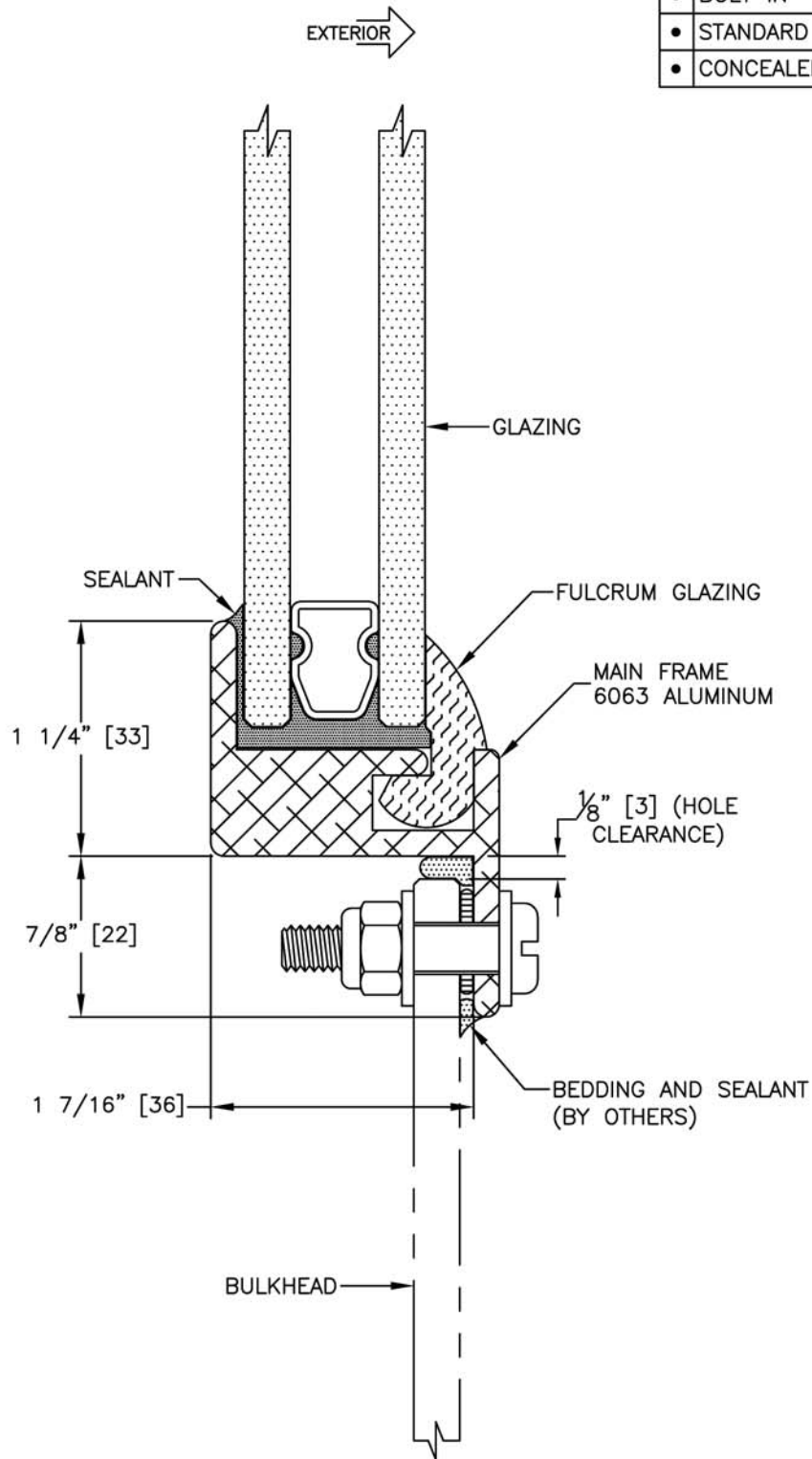


INSTALLATION

WELD IN
• BOLT IN
• STANDARD CLAMP IN
• CONCEALED CLAMP IN



GLAZING THICKNESS RANGES FROM 3/4" [19mm] TO 1" [25mm]
 STANDARD PLATE CUT RADIUS IS 3 1/8" [79], 3 5/8" [92], AND 4 1/8" [105].

	TITLE:	MODEL NO.	REV
	FIXED WINDOW	WIN-1026-FX	—
		SCALE: N/A	SHEET: 1 OF: 1

Bolt In Window with Fulcrum Glazing and Dual Pane



PACIFIC COAST MARINE
 6000 23RD DRIVE WEST, EVERETT, WASHINGTON, USA 98203
 PHONE: +1.425.743.9550 WWW.PCMII.COM

FIXED WINDOW