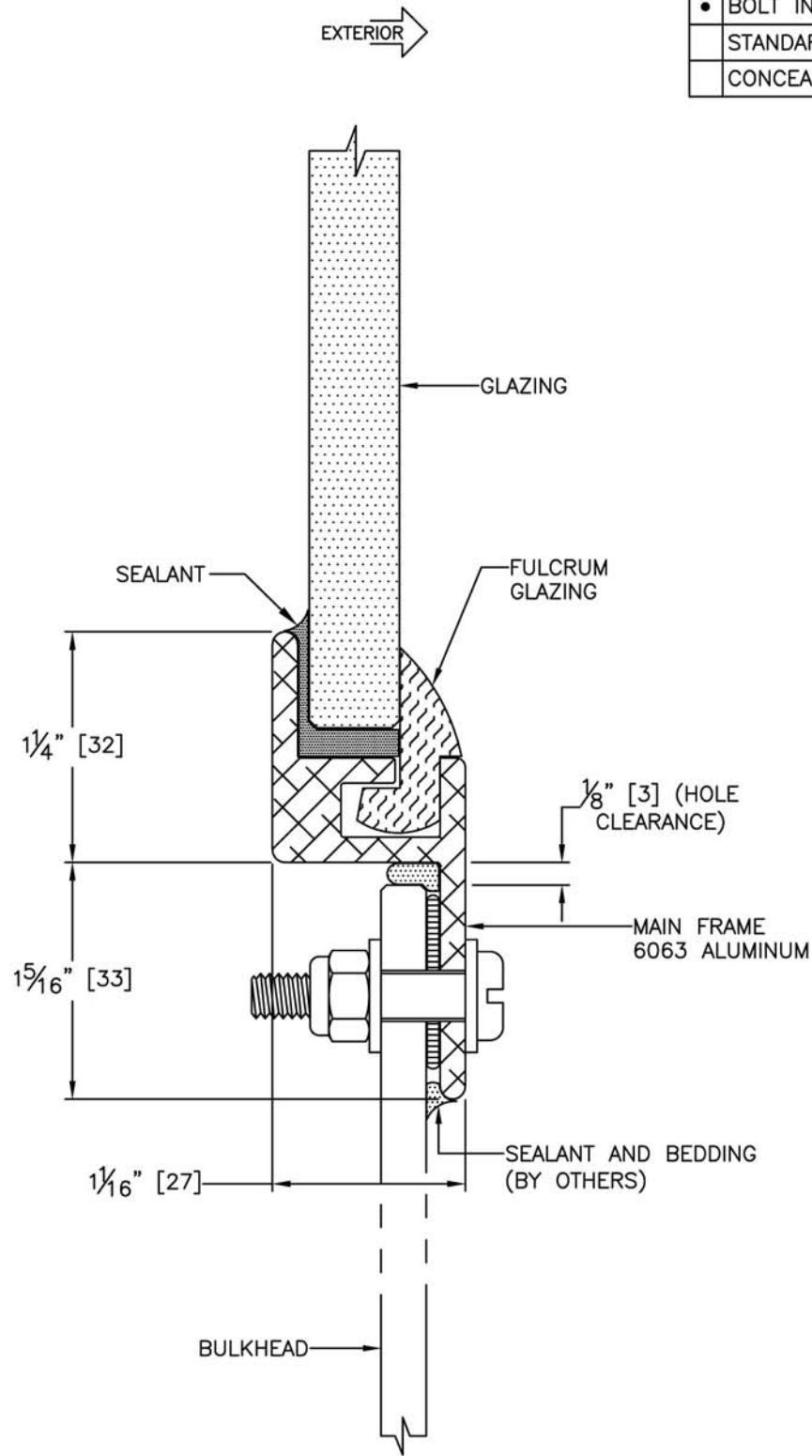


INSTALLATION	
	WELD IN
•	BOLT IN
	STANDARD CLAMP IN
	CONCEALED CLAMP IN



GLAZING THICKNESS RANGES FROM 1/4" [6] TO 1/2" [13mm]
 STANDARD PLATE CUT RADIUS IS 2 5/8" [67], 3 1/8" [79], 3 5/8" [92], AND 4 1/8" [105].

	TITLE:	MODEL NO.	REV
	FIXED WINDOW	WIN-1004-FX	—
		SCALE: N/A	SHEET: 1 OF: 1

Bolt In Window with Fulcrum Glazing and Single Pane



PACIFIC COAST MARINE
 6000 23RD DRIVE WEST, EVERETT, WASHINGTON, USA 98203
 PHONE: +1.425.743.9550 WWW.PCMII.COM

FIXED WINDOW